

PRODUCT INFORMATION PACKET

Model No: 5K49MN4112

Catalog No: K524

1 HP General Purpose Motor, 3 phase, 1800 RPM, 575 V, 56C Frame, TEFC
Three Phase TEFC Motors



Regal and Marathon are trademarks of Regal Beloit Corporation or one of its affiliated companies.
©2019 Regal Beloit Corporation, All Rights Reserved. MC017097E

REGAL



Nameplate Specifications

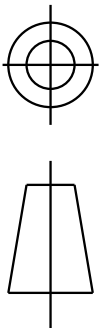
Output HP	1 Hp	Output KW	0.75 kW
Frequency	60 Hz	Voltage	575 V
Current	1.7 A	Speed	1725 rpm
Service Factor	1.25	Phase	3
Efficiency	0 %	Power Factor	0
Duty	Continuous	Insulation Class	B
Design Code	B	KVA Code	L
Frame	56C	Enclosure	Totally Enclosed Fan Cooled
Thermal Protection	N/R	Ambient Temperature	40 °C
Drive End Bearing Size	6203	Opp Drive End Bearing Size	6203
UL	Recognized	CSA	Yes
CE	N		

Technical Specifications

Electrical Type	Three Phase	Starting Method	N/R
Poles	4	Rotation	Counterclockwise/Clockwise
Mounting	Round	Motor Orientation	ANY
Drive End Bearing	LOCKED	Opp Drive End Bearing	BALL
Frame Material	Rolled Steel	Overall Length	11.44 in
Frame Length	6.15 in	Shaft Extension	.625 X 1.88 - .188 X .188 KEY in

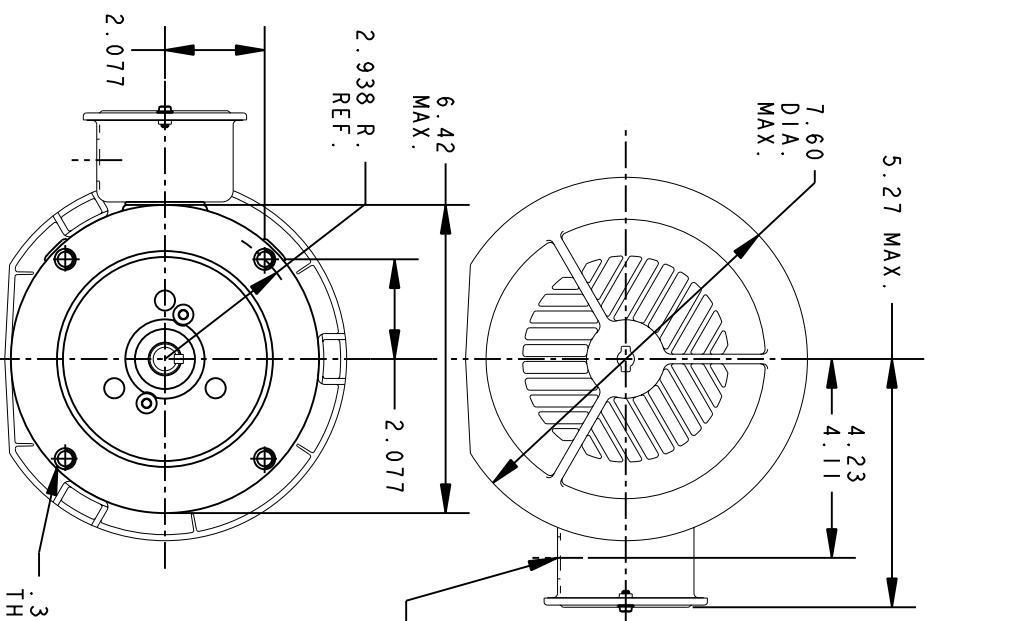
This is an uncontrolled document once printed or downloaded and is subject to change without notice. Date Created:01/11/2019

THIRD ANGLE PROJECTION

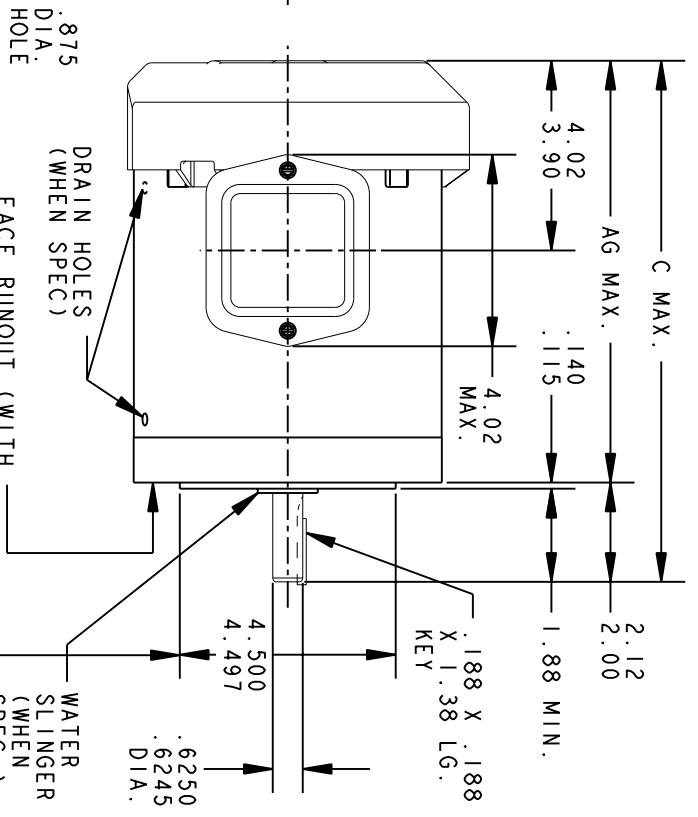


REVISIONS

REV.	DESCRIPTION	DATE	APPROVED
7	ADDED PART #6.	09/13/94	M.A.M.
8	CHG TO RBC FORMAT PER IS05-11777	03/03/06	SUDHA



VIEW OF P.E. END SHIELD



ECCENTRICITY OF THIS SURFACE (WITH INDICATOR MOUNTED STATIONARY RELATIVE TO SHAFT) MUST NOT EXCEED .004 T.I.R.

.375-16 UNC-2B (4 HOLES), .70 MIN. FULL THREAD DIA. AND 4 PINS .2917 DIA. LOCATED ON THE BASIC HOLE POSITIONS.

5	4	3	2	1	P
K	K	K	K	K	P
49	46	49	42	49	GE SIZE
56C	56C	56C	56C	56C	NEMA FR.
12.97	11.84	12.44	11.01	11.44	C
10.85	9.72	10.32	8.89	9.32	AG
7.68	6.55	7.15	5.72	6.15	MIN. SHELL
				6	P
				K	TYPE
				49	GE SIZE
				56C	NEMA FR.
				10.63	C
				8.51	AG
				5.34	MIN. SHELL



REGAL-BELOIT CORPORATION

TITLE OUTLINE

FMF - 40 FRAME REDESIGN - 5K49GN2008

GENERAL PURPOSE MOTOR - TEFC - BALL BEARING - R2 END MOUNTED

FOR ADDITIONAL INFO REFER TO:	DETAIL	CHECKED	ENGRG	MFG	QUALITY
APPLIED PRACTICES	ISSUED	M.D. PAPER	07/28/94		
DIMENSIONS ARE IN INCHES	SOLID MODEL: 52A107814				

SCALE: 0.250	REF. No.:	SHEET 1 of 1
SIZE: DRAWING A	REV 8	

This document is the property of REGAL-BELOIT CORPORATION ("RBC") including its subsidiaries and divisions and contains proprietary information of RBC. This document is loaned on the express condition that neither the recipient nor any other person shall be permitted to disseminate, copy, reproduce, modify, or otherwise use this document in any way without the express written permission of RBC. This document shall be returned to RBC upon its request. This document may be subject to certain restrictions under U.S. export control laws and regulations.

REV.

DESCRIPTION

DATE

APPROVED

1	CHG TO RBC FORMAT PER IS05-1777	06/15/06	MADHU
2	RENAMED 113A930_FIG_1 TO 113A930FIG1 PER IS07-0972	05/08/07	MADHU

THIRD ANGLE PROJECTION

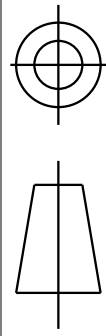
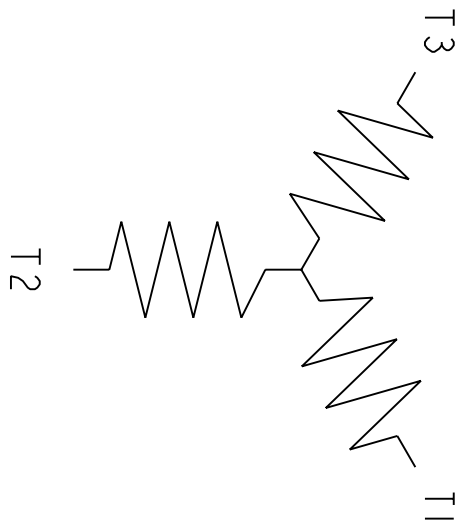


FIG. 1

3 PHASE



VOLTS	L1	L2	L3
1Y SINGLE	1	2	3

BRAKE MOTORS : CONNECT BRAKE LEADS
B1 & B2 TO ANY TWO
LINE LEADS.

FOR ADDITIONAL INFO REFER TO:

APPLIED PRACTICES	SIGNATURES	DATE
DIMENSIONS ARE IN INCHES	MODEL M.D.PAPE	02/23/03
	DETAIL	

REGAL-BELOIT CORPORATION

REGAL-BELOIT CORPORATION

CONNECTION DIAGRAM

TITLE

CONNECTION DIAGRAM

TOLERANCE ON:	CHECKED	
1 PL DECIMALS ± 0.1	ENGRG	
2 PL DECIMALS ± 0.02	MFG	
3 PL DECIMALS ± 0.005	QUALITY	
ANGLES ± 1.0	ISSUED	
FRACTIONS ±	M.D.PAPE	02/23/03

FINISH	QUALITY	
ISSUED	M.D.PAPE	02/23/03
SOLID MODEL: 113A930F1G1		

SIZE DRAWING A

SCALE: 1.000 REF. No. .

113A930FIG1

REV 2

SHEET 1 of 1